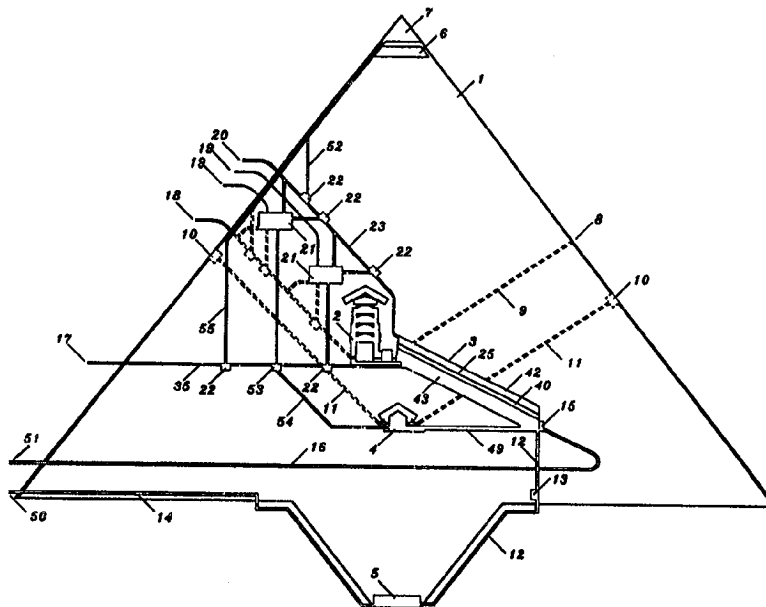




INTERNATIONAL APPLICATION PUBLISHED UNDER THE PATENT COOPERATION TREATY (PCT)

<p>(51) International Patent Classification ⁶ : F03B 13/10, 13/12, 13/00, 9/04</p>	<p>A1</p>	<p>(11) International Publication Number: WO 99/11925 (43) International Publication Date: 11 March 1999 (11.03.99)</p>
<p>(21) International Application Number: PCT/IB98/01330 (22) International Filing Date: 27 August 1998 (27.08.98) (30) Priority Data: 1997090884 1 September 1997 (01.09.97) EG (71)(72) Applicant and Inventor: ELFOULY, Gamal, H., S. [US/EG]; 20 Adly Street, Cairo (EG).</p>		<p>(81) Designated States: AL, AM, AT, AU, AZ, BA, BB, BG, BR, BY, CA, CH, CN, CU, CZ, DE, DK, EE, ES, FI, GB, GE, GH, GM, HR, HU, ID, IL, IS, JP, KE, KG, KP, KR, KZ, LC, LK, LR, LS, LT, LU, LV, MD, MG, MK, MN, MW, MX, NO, NZ, PL, PT, RO, RU, SD, SE, SG, SI, SK, SL, TJ, TM, TR, TT, UA, UG, US, UZ, VN, YU, ZW, ARIPO patent (GH, GM, KE, LS, MW, SD, SZ, UG, ZW), Eurasian patent (AM, AZ, BY, KG, KZ, MD, RU, TJ, TM), European patent (AT, BE, CH, CY, DE, DK, ES, FI, FR, GB, GR, IE, IT, LU, MC, NL, PT, SE), OAPI patent (BF, BJ, CF, CG, CI, CM, GA, GN, GW, ML, MR, NE, SN, TD, TG).</p> <p>Published <i>With international search report. Before the expiration of the time limit for amending the claims and to be republished in the event of the receipt of amendments.</i></p>

(54) Title: PYRAMIDAL MACHINE



(57) Abstract

An energy conversion machine (1) having a pyramidal shape (7) is disclosed. Wind and water energy is utilized by the conversion machine (1) for water desalination and purification, heating, cooling or as an underwater life support system. The pyramidal machine (1) does not cause audio or noise pollution, air pollution or in effect, the environment.